



INPUT:

150 A
...
500 A

OUTPUTS:

5 A 1 A



	LCTS 50/18SC	LCTS 50/32SC
Hole diameter	18.5 mm	32.5 mm
Depth	65.2 mm	65.2 mm
Width	61.4 mm	61.4 mm
Primary current	150 A...250 A	250 A...500 A
Secondary current	1 A, 5 A	
Accuracy class	1	

3 YEAR WARRANTY

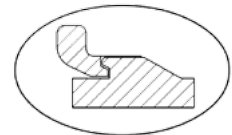
GENERAL SPECIFICATION:

Applicable standards: IEC 61869-1/2
Thermal nominal continuous rated current (I_{cth}): $1.2 \times I_n$
Thermal nominal short time current (I_{dyn}): $60 \times I_n, 1 \text{ sek}$
Maximum Operating Voltage: 0.72 kV
Rated Frequency: 50/60 Hz
Insulation Test Voltage: 3 kV, 1 Min.
Insulation Class: E
Ambient temperature range: $-20^\circ\text{C} \dots +45^\circ\text{C}$
Storage temperature range: $-30^\circ\text{C} \dots +60^\circ\text{C}$
Ratios ranging: from 150/1 up to 500/5
Accuracy Class: 1
Suitable only for mounting on insulated primary conductor.
To be used in weather protected & dry location.



FEATURES:

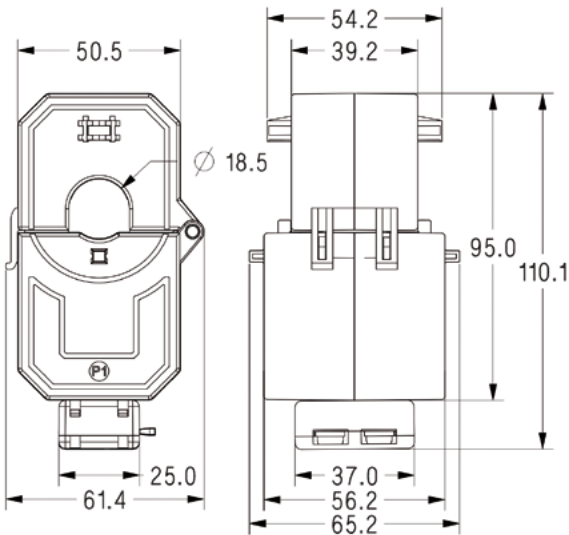
- Hinged Split Core.
- Swing open for ease of installation.
- Compact size.
- Two options for Bus Bar Mounting.
- Cable Tie provision for faster installation.
- Safety Plug in shorting link.
- Available with M4 Size Terminals.
- Provided with 3 Meter wire for 1A Output.
- Provided with 1 Meter wire for 5A Output.
- Wide range of system current ratings.
- Assured Core contact with Latching Type Snap fitment.
- Vibration Resistant Design.



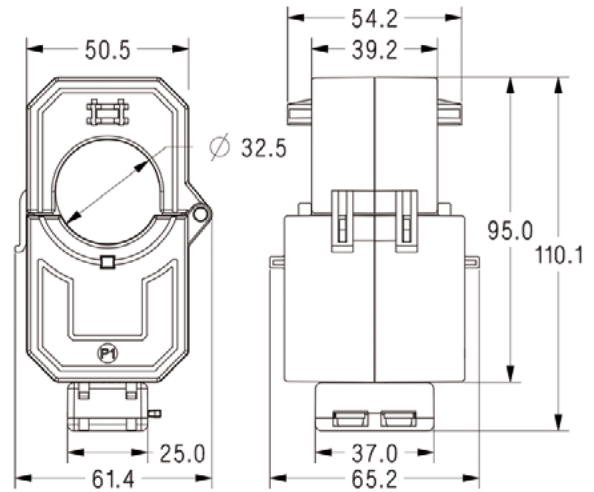
Locking Profile to avoid Accidental Opening.

DIMENSIONS

LCTS 50/18SC



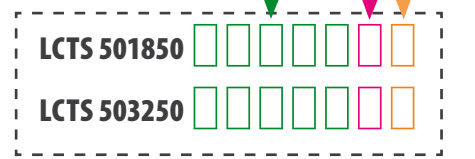
LCTS 50/32SC



ORDERING CODES

Transformer type	LCTS 50/18SC	LCTS 50/32SC
Accuracy class	1	1
Code	1	1

Code	Primary current	Transformer burden	
0150A	150 A	0.2 VA	-
0200A	200 A	0.2 VA	-
0250A	250 A	1 VA	0.2VA
0300A	300 A	-	0.2 VA
0400A	400 A	-	0.2 VA
0500A	500 A	-	0.2 VA



Secondary current	Code
x/5A	5
x/1A	1

Ordering example: Order code a LCTS 5032500500A5 means the transformer LCTS 50/32SC 500/5A ; Class 1; power 0.2VA

3 YEAR WARRANTY
shop.lumel.com.pl

EPLAN