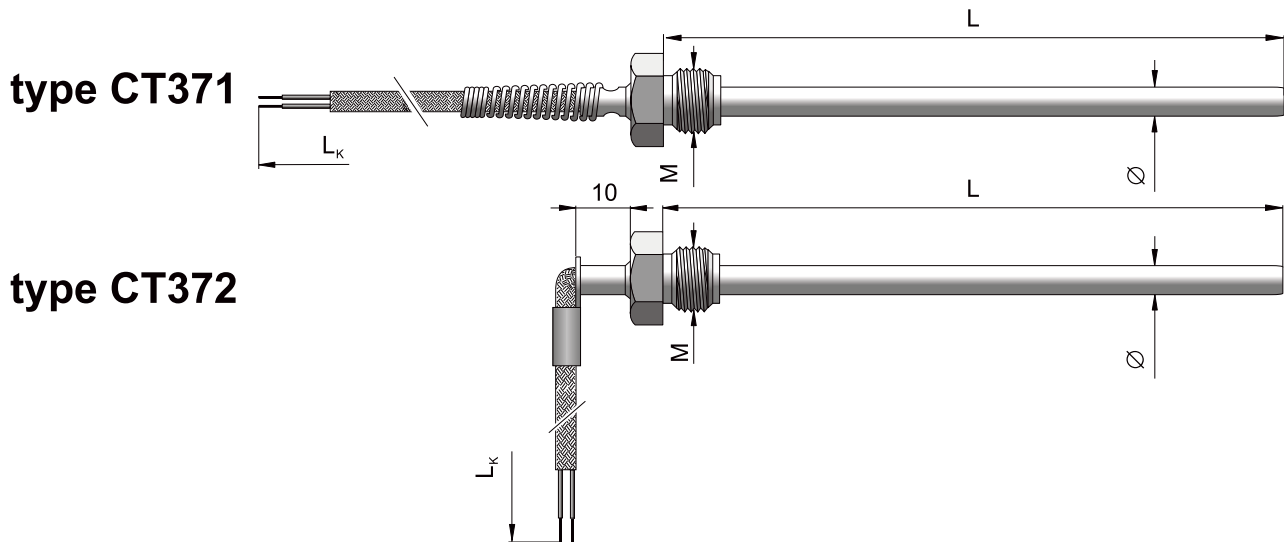


TEMPERATURE SENSOR



SPECIFICATION

| | |
|-----------------------------|--|
| Temperature range | -40°C...+400°C |
| Measuring element | platinum resistor (Pt100) ⁽²⁾ thermocouple Cu-CuNi (T) thermocouple Fe-CuNi (J) thermocouple NiCr-NiAl (K) |
| Class of processing element | 2 (B) |
| Measuring junction | insulated ⁽¹⁾ |
| Sheath material | steel 1.4541 |
| Fitting (M) | welded stationary fitting with thread M6, M8x1, M10x1, M12x1,5, M20x1,5, G1/2" ⁽¹⁾ |
| Cable insulation | fiber glass and steel braid ⁽³⁾ |

⁽¹⁾Other parameters according to customer requirements

⁽²⁾Pt500, Pt1000, Ni100, Ni1000 on demand

⁽³⁾Other cable insulation: PVC, silicon, PTFE, stainless steel armored sheath on demand

| Option | W1 | W2 | W3 | W4 | W5 | W6 | W7 |
|--|-----|-----|-----|-----|-----|-----|-----|
| Sensor length L (mm) | 50 | 100 | 200 | 300 | 400 | 600 | 800 |
| Length of the cable (m) ⁽¹⁾ | 0,5 | 1 | 1 | 1 | 1,5 | 1,5 | 1,5 |

ORDERING CODE



Sensor type **371, 372**

Measuring element **Pt100, T, J or K**

Sheath outer diameter $\varnothing = 2,5, 3, 4, 5, 6, \text{ or } 8$ mm

Option **W1 ... W7**

Welded stationary fitting with thread **M6, M8x1, M10x1, M12x1,5, M20x1,5, G1/2"**⁽¹⁾

Example for order

CT-371J-5-W5-M10x1 thermocouple sensor Fe-CuNi (J) of outer diameter $\varnothing = 5$ mm, length L = 400 mm, length of the cable $L_k = 1,5$ m with welded stationary fitting with metric thread M10x1.