



SIEVING & FILTERING Solutions Galaxy Wide

SIVTEK ROTO SIFTER®



PRODUCT BROCHURE

INDUSTRIALLY ACCEPTED CENTRIFUGAL SIFTER BEST USED FOR SIFTING, SCALPING, & DE-LUMPING ANY KIND OF BULK POWDER OR GRANULAR MATERIAL FOR ACHIEVING HIGH PRODUCT QUALITY.

Sivtek Roto Sifter® is robust centrifugal sifter known for its hygienic & dust-free sifting, scalping & de-lumping process for any bulk powder & granular material.

The innovational & unique enclosed sanitary design of centrifugal sifters is useful for any processing industry where hygiene is demanded.

The bulk material to be screened, sifted or scalped is conveyed & passed inside the sifter by feeding screw. The rotation generates the centrifugal force & the generated centrifugal force throws the material against the sieve. The rotating paddles pushes undersized particle out of the mesh along with breaking agglomerates & lumps. Undersized particles are evacuated from undersize outlet & the oversized or bigger particles are evacuated from main outlet.

Sivtek Roto Sifter is manufactured in three standard sizes – RS250, RS500, & RS1350.

All the variants of Sivtek Roto Sifter are available as per FDA, GMP and other safety & sanitary regulations for pharmaceutical, food, beverage, chemical & other industries.

The outstanding features and advantages of the Rotary sifter make the sifter most economical, user friendly & easy to maintain machine.

BENEFITS



SANITARY SIFTING PROCESS

The totally enclosed system provides sanitary & dust-free sifting, scalping, de-dusting & de-lumping operation for any powder, granular, or moist material.



LONG LIFE & NOISE FREE

The sifter has a long life as compared to the conventional vibrating sifter as it is vibration-free. The other advantage of vibration-free operation is the reduction in noise level (less than 75 DB).



ECONOMICAL SIFTER

The centrifugal sifter operates on standard motor that consumes less electric power as compared to conventional vibrating sifters.



HIGH EFFICIENT SIFTING

The rapid sieving action due to centrifugal force helps in achieving efficient sifting, scalping or de-lumping process.

KEY COMPONENTS

AIR PURGING

Sivtek Roto Sifter® comes with an Air Purging arrangement with a valve to avoid negative pressure while sifting operation.



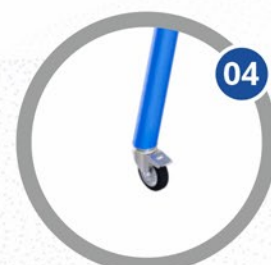
INSPECTION WINDOW

Sivtek Roto Sifter® comes with an inspection window that enables a 360° view of screen mesh & eliminates the need of disassembling the screen mesh.



MOTOR

The motor is attached with bearing house assembly to help the rotation of the shaft easily.



QUICK RELEASE KNOB ARRANGEMENT

Knob arrangement allows quick & easy disassembling of internal parts like screens, for cleaning, changing, or maintenance.

TROLLEY ARRANGEMENT

Sivtek Roto Sifter® can be attached along with a trolley that consists of a stand with castor wheels for easy movement inside the plant.

FEATURES

▶ **360° INSPECTION OF SCREEN**

Sivtek Roto Sifter® comes with inspection window that enables 360° view of screen mesh & eliminates the need of disassembling the screen mesh.

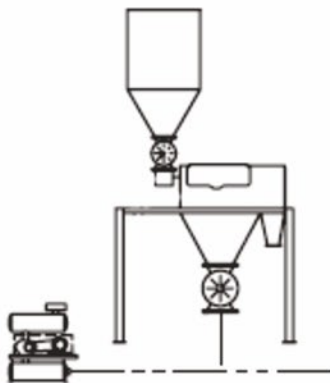
▶ **EASY IN PLANT MOVEMENT**

The centrifugal sifter comes with castor wheels, enabling easy movement inside the plant if required for sifting multiple materials.

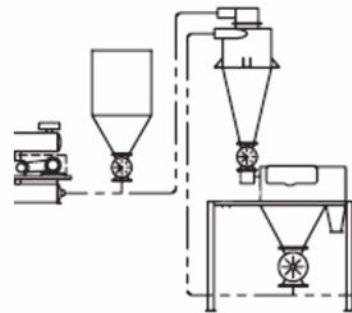
▶ **QUICK & EASY MAINTENANCE**

Knob arrangement allows quick & easy disassembling of internal parts like screen, for cleaning, changing or maintenance.

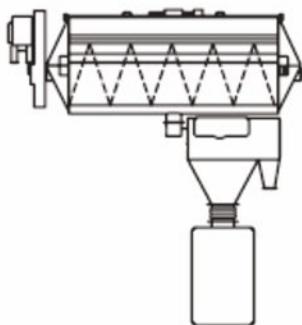
ADDITIONAL FEATURES



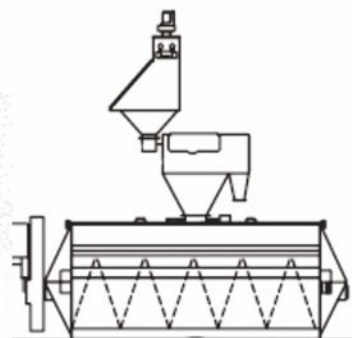
Sifting from Bulk Receiver Prior to Pneumatic Transfer



Inline Sifting

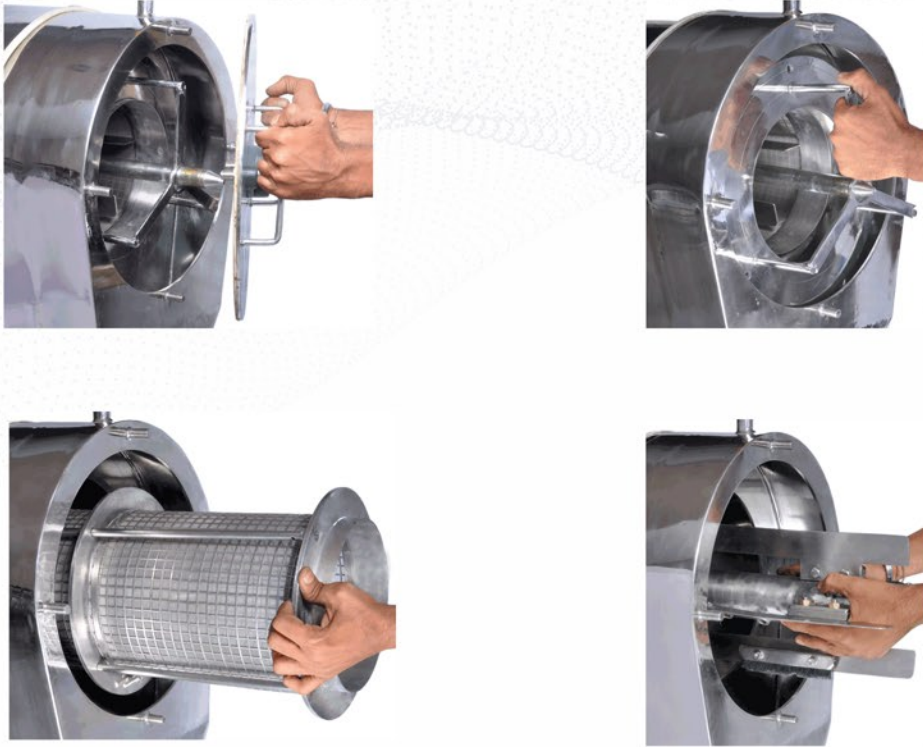


Sifting After Blending Prior to Packing



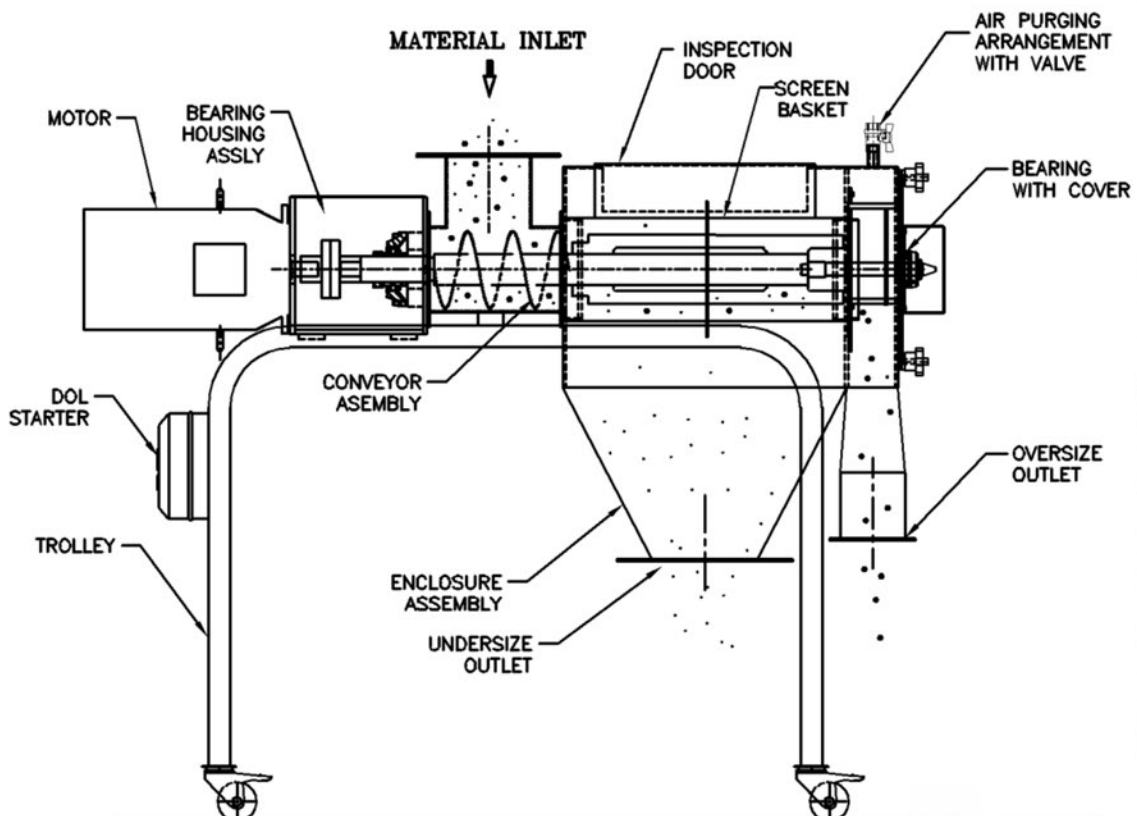
Sifting Minor Ingredients Prior to Blending

EASY TO CLEAN



The internals of the sifter can be removed quickly and without the use of tools. This helps in easy & quick cleaning.

SPECIFICATIONS



TYPES OF ROTO SIFTER



SIVTEK ROTO SIFTER®

Screen Area : 0.34m²



SIVTEK TWIN ROTO SIFTER®

Screen Area : 0.68m²



SIVTEK ROTO 1350®

Screen Area : 1.25m²



BEAD BLAST



BRUSH FINISH



MIRROR FINISH



MS PAINT

CENTRIFUGAL SIFTER

SIVTEK PNEUMATIC ROTO SIFTER®



FINISHING



MIRROR FINISH



BRUSH FINISH

WORKING

Rated up to 14 in. (356 mm) vacuum (negative pressure), it delivers the capacity of one independent high-output sifter, in less floor space. A feed splitter evenly divides the flow of incoming material into a horizontally oriented cylindrical screening chamber. A shaft within screening chamber rotates a helical paddle assembly that accelerates the radial movement of particles and soft agglomerates against and through the screen. On-size particles pass through apertures in the screens and discharge through a cone-shaped chute, while oversize particles are ejected via an automatic delivery system.

BENEFITS



HIGH EFFICIENCY, SPEEDY PERFORMANCE



QUICK, HYGIENIC & EASY TO CLEAN



30 SECONDS SCREEN CHANGE



EASY INSPECTION FOR MAINTENANCE



OPERATOR FRIENDLY- NO TOOLS REQUIRED

INDUSTRIES & APPLICATIONS WE SERVE



FOOD & BEVERAGE

- Rice Bran
- Spices
- Food Additives
- Chocolate
- Milk Powder



FMCG

- Detergent Powder
- Soap Noodles
- Talcum Powder
- Tooth Powder



PHARMA

- Pharma Powder
- Sulphate
- Lactose Powder



PLASTIC & POLYMERS

- PVC Resin Pellet
- Polyethylene Powder
- Master Batch
- Latex



CHEMICAL & PIGMENT

- Chemical Powder
- Limestone
- Sulphate
- Copper Powder
- Aluminum Hydrate

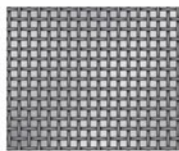


MINERAL & METAL

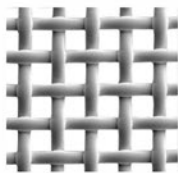
- Metal Powder
- Calcium Carbonate
- Quartz Powder

Many More ...

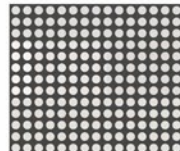
BASKET OPTIONS



Metallic Square Woven Wire Mesh

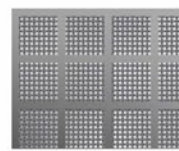


Polymer Mesh



Perforated Plate

FOR INCREASED MESH LIFE



Fine Mesh with Backup Perforated Plate

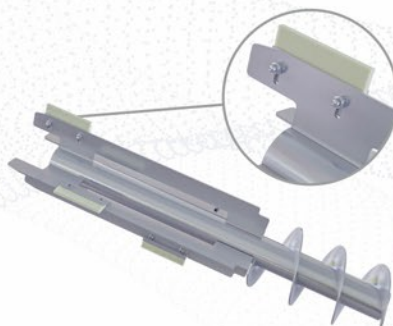


Fine Mesh with Backup Coarse Plate

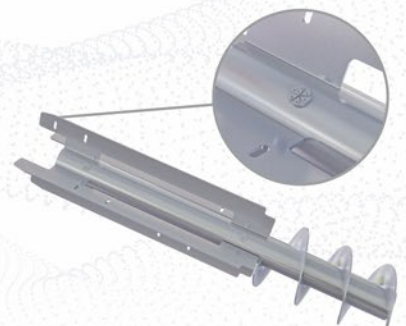
MESH DE-BLINDING FOR CENTRIFUGAL SIFTER



DE-BLINDING WITH RUBBER



DE-BLINDING WITH BRUSH

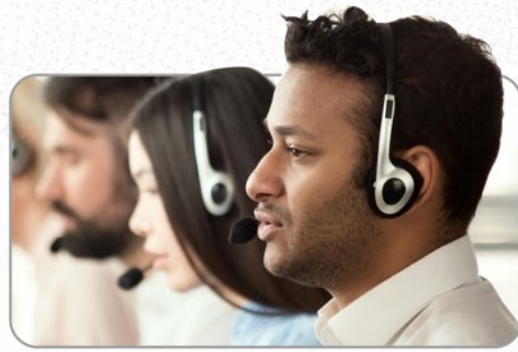


DE-BLINDING WITH AIR

AFTER SALES SERVICES

24 x 7 CUSTOMER SUPPORT

Galaxy sivtek is committed to provide you 24x7 customer support on your sieving and filtration challenges. We are bound to assist you before and after purchase of our sieving and filtering solutions. We also offer genuine after market spares to ensure that your production lines are always running. Get in touch with our team at any time.



INHOUSE & ON SITE TRIAL FACILITY

Galaxy Sivtek conduct on site trial for processing industries, so that they can make appropriate decision to choose from the wide range of our Sivtek sifters and filters. Till date, we have successfully conducted more than 25k+ trials for 12+ industries ranging from food & beverage to the chemical industry, pharmaceutical to mineral & metal industry.

MACHINE HEALTH CHECKUP

We work as your sieving & filtering solution partner! Our highly skilled & trained experts are at your service. We at Galaxy Sivtek help our clients in identifying how their machines are performing in the processing line, by conducting a machine health check-up. It will help them to analyse and take appropriate decisions.



TECHNICAL TRAINING

Training programs are conducted by Galaxy Sivtek to educate every technician or operator at your premises. In house & on site training program helps your operator to understand that how to operate, service & maintain the sieving & filtration equipment. Galaxy Sivtek also train them on how to detect & prevent physical hazards that may effect the sieving process.

COMMITTED GLOBALLY



SIEVING & FILTERING Solutions Galaxy Wide

📍 Plot No. 02, Siddhi Industrial Infrastructure Park, Behind MGVC Substation,
Waghodia - 391 760, Dist : Vadodara, Gujarat.

✉️ inq@galaxysivtek.com 🌐 www.galaxysivtek.com

📞 +91 96876 99690

