



## T22CT -AC TRANSDUCER

T22CT a transducer for measurement of AC current. It provides 4 to 20 mA or 0 to 20mA DC output. It can be used for:

- For network analysis, monitoring,
- Measuring of non -sinusoidal and distorted networks.

### Features:

- Measurement of AC current for frequency 50/60Hz, Provides proportional 4 - 20 mA or 0-20 mA DC output.
- High electric isolation between primary conductor and output.
- Easy and safety electrical connection by means of spring clamp terminal.
- Direct mounting onto the bus bar by means of integrated fixing screws which are part of the unit.
- Mounting onto 35 mm DIN rail by means of optional supply of snap on mounting.



## TECHNICAL DATA

Measuring range	In: 50, 100, 150, 200, 250, 300A (for version T22CT-1) In: 150, 200, 250, 300, 400, 500, 600, 750A (for version T22CT-2)
Input frequency range	50/60 Hz
DC Current output	4...20 mA or 0...20 mA (acc. to ordering code)
Max. burden resistance at current output:	$R_B = 750 \Omega$ $R_B = 1000 \Omega$ ( $U_H \geq 24$ V DC)
Current limit under overload	< 30 mA
Accuracy (acc. to IEC-60688)	$\pm 0.5 \%$
Max. operating voltage $U_m$	0.72 kV, $U_{eff}$
Isolation test voltage (acc. to IEC-61010-1)	6.4 kV AC, 50 Hz, 60 sekund uzwojenie pierwotne / wyjście analogowe obudowa / wyjście analogowe i zasilanie
Auxiliary voltage	24 V DC, $\pm 15\%$ (external protection via fuse 250 mA / 250 V, fast)
Current Consumption	< 50 mA
Response time	< 600 ms
Installation category	III
Thermal nominal continuous rated current	1.2 x $I_n$
Protection class	IP20
Operating temperature and Humidity	$0^\circ\text{C} < T_{op} < +70^\circ\text{C}$ , 0...95% rH, without condensation
Storage temperature	$-40^\circ\text{C} < T_{st} < +90^\circ\text{C}$
Max. temperature of primary conductor	100°C
Applicable technical standards	IEC 60688, 2012 IEC 61010-1, 2010

## CONNECTION DIAGRAM

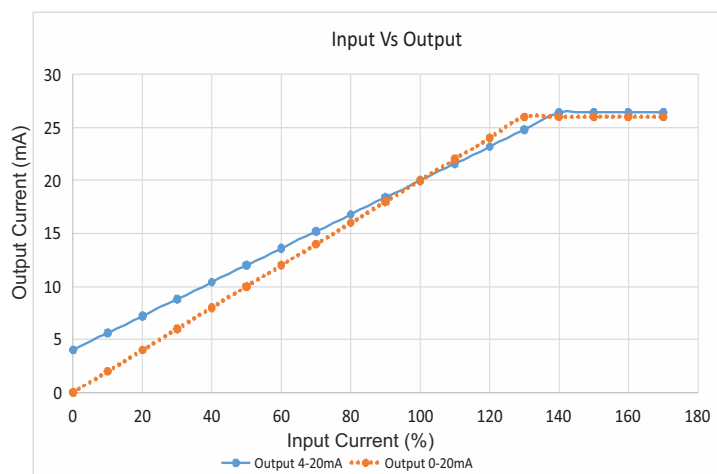
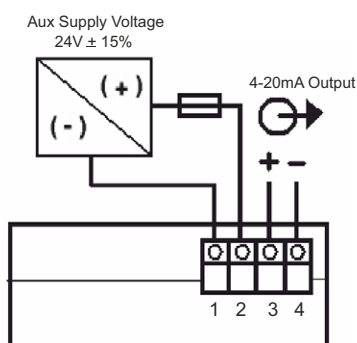
Electric connections:

I<sub>out -</sub> I<sub>out +</sub> U<sub>H +</sub> Ground

Spring clamp terminal

Connection cross sections: 0.08...2.5 mm<sup>2</sup>

### Connection Diagram:

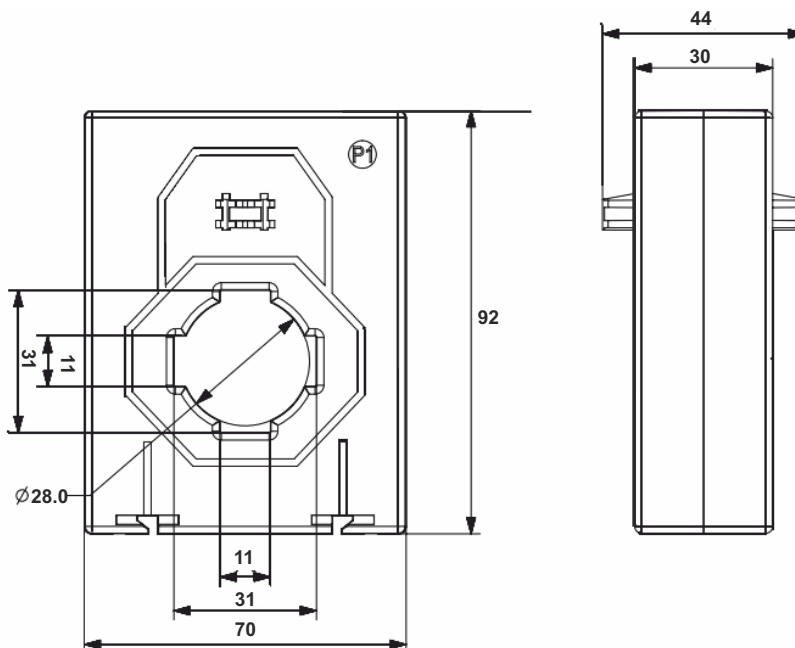


## DIMENSIONAL DRAWING

T22CT-1 dimensions 70x30mm:

Transformer width: 70 mm  
Transformer height: 92 mm  
Transformer depth: 44 mm

Bus bar: 30x10 mm  
Round conductor: 28 mm

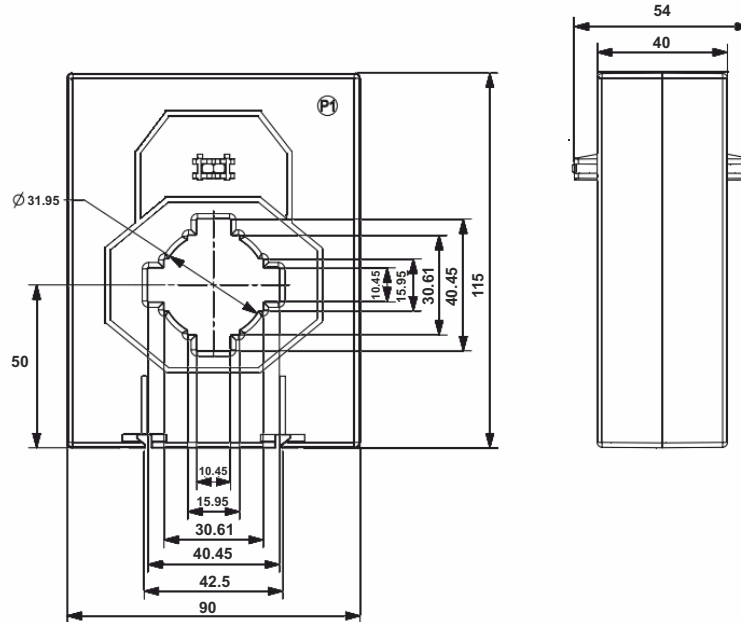


## DIMENSIONAL DRAWING

T22CT-2 rozmiar 90x40mm:

Transformer width: 90 mm  
Transformer height: 115 mm  
Transformer depth: 58 mm

Bus bar: 30x10 mm  
Round conductor: 31.5 mm



## TABLE OF RANGES

Type	Primary current [A]	Current output
T22CT-1 70x30mm (TRMS or average)	50	4...20 mA or 0...20 mA DC
	100	
	150	
	200	
	250	
	300	
T22CT-2 90x40mm (TRMS or average)	150	4...20 mA or 0...20 mA DC
	200	
	250	
	300	
	400	
	500	
	600	
	750	

## ORDERING

### Ordering code for dimensions 70x30mm

Transducer T22CT	XX	X	XX	L	000000
<b>Type:</b>					
70x30mm; AVG	1A				
70x30mm; TRMS	1T				
<b>Primary current:</b>					
50A		A			
100A		B			
150A		C			
200A		D			
250A		E			
300A		F			
<b>Analog output:</b>					
0...20 mA			65		
4...20 mA			75		
<b>Supply:</b>					
24 V DC				L	
<b>Version:</b>					
standard					000000

#### Order example:

The code **T22CT 1AB75L000000** means the transducer 70x30mm AVG, primary current 100A with analog output 4-20mA and supply 24V.

### Ordering code for dimensions 90x40mm

Transducer T22CT	XX	X	XX	L	000000
<b>Type:</b>					
90x40mm; AVG	2A				
90x40mm; TRMS	2T				
<b>Primary current:</b>					
150A		C			
200A		D			
250A		E			
300A		F			
400A		G			
500A		H			
600A		I			
750A		J			
<b>Analog output:</b>					
0...20 mA			65		
4...20 mA			75		
<b>Supply:</b>					
24 V DC				L	
<b>Version:</b>					
standard					000000

#### Order example:

The code **T22CT 2AG75L000000** means the transducer 90x40mm AVG, primary current 400A with analog output 4-20mA and supply 24V.

### ON STOCK VERSIONS

Ordering code	Description
T22CT-1AA75L000000	70x30mm; primary current 50A; AVG; analog output 4-20mA; supply 24V DC
T22CT-1AB75L000000	70x30mm; primary current 100A; AVG; analog output 4-20mA; supply 24V DC
T22CT-2AC75L000000	90x40mm; primary current 150A; AVG; analog output 4-20mA; supply 24V DC
T22CT-2AD75L000000	90x40mm; primary current 200A; AVG; analog output 4-20mA; supply 24V DC
T22CT-2AE75L000000	90x40mm; primary current 250A; AVG; analog output 4-20mA; supply 24V DC
T22CT-2AG75L000000	90x40mm; primary current 400A; AVG; analog output 4-20mA; supply 24V DC
T22CT-2AI75L000000	90x40mm; primary current 600A; AVG; analog output 4-20mA; supply 24V DC

### ADDITIONAL ACCESSORIES:

ACCESSORIES		
DESCRIPTION	VIEW	ORDERING CODE
DIN rail mounting kit		LH000-0904-130-128

T22CT-19\_en

